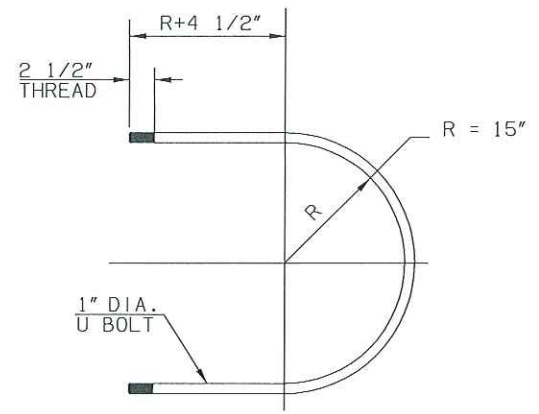
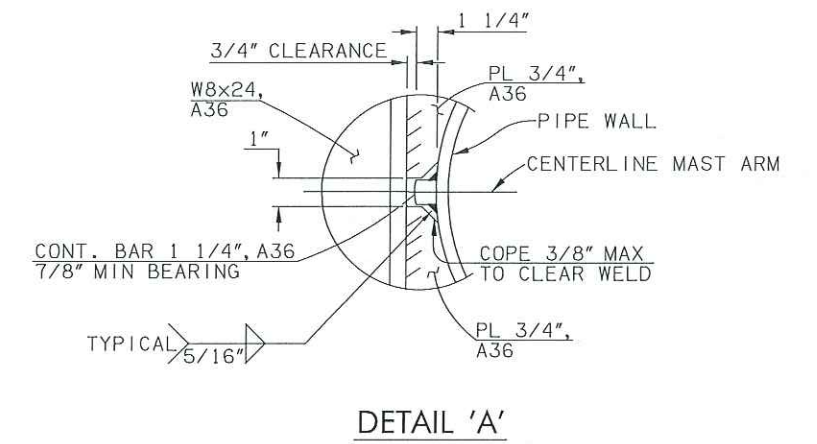
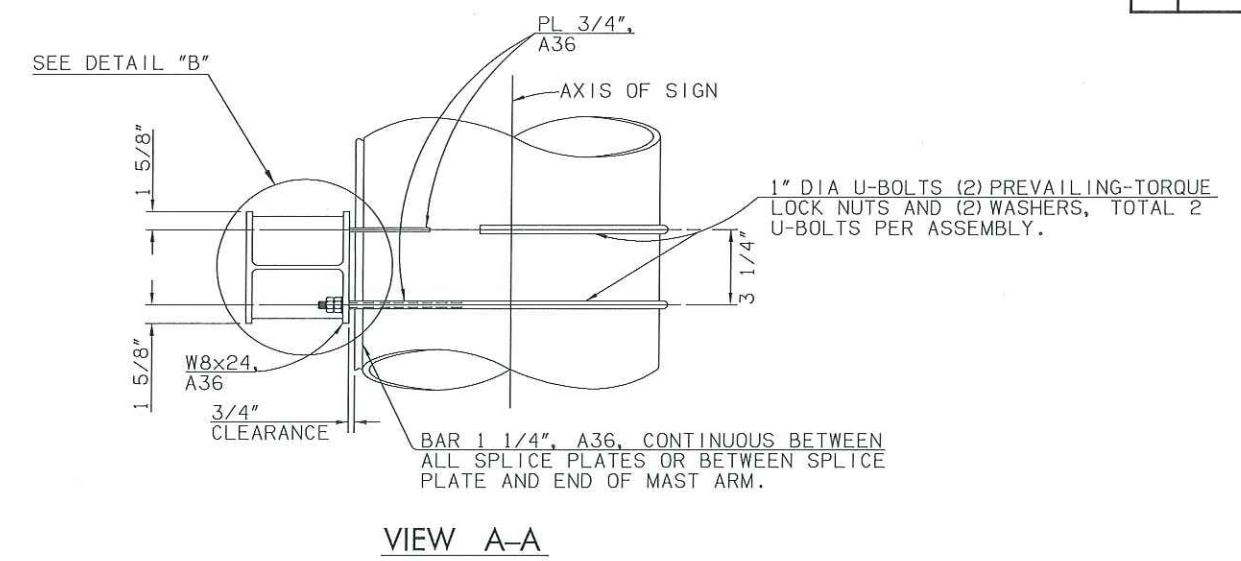
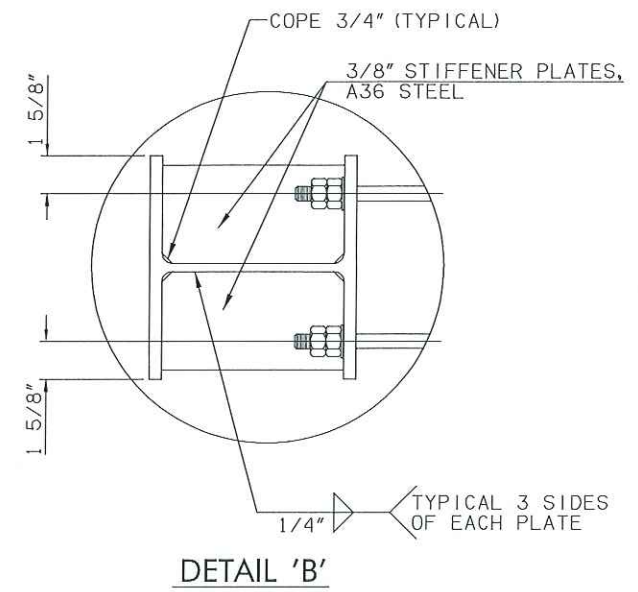


SIGN MOUNTING BRACKET



U BOLT DETAIL

GENERAL NOTES

- ALL U-BOLTS SHALL CONFORM TO THE MATERIAL SPECIFICATIONS OF ASTM A193-B7, AND THREADS SHALL CONFORM TO ASTM A325 SECTION 7.2. ALL U-BOLT NUTS SHALL BE PREVAILING-TORQUE LOCK NUTS AND SHALL CONFORM TO THE SPECIFICATION OF ASTM A194-2H. ALL WASHERS SHALL CONFORM TO THE SPECIFICATIONS OF ASTM F436.

MONOTUBE STRUCTURE (OVERHEAD SIGN BRACKET DETAIL)			
Design	JG	JW	
Detail	JG	JW	
Check	JG	JW	
Supv.	SUPERVISOR		
Engr.	ENGINEER		
STATE OF OKLAHOMA	DEPARTMENT OF TRANSPORTATION		SHEET NO. M4
JOB PRICE NO. 30444(06)			